

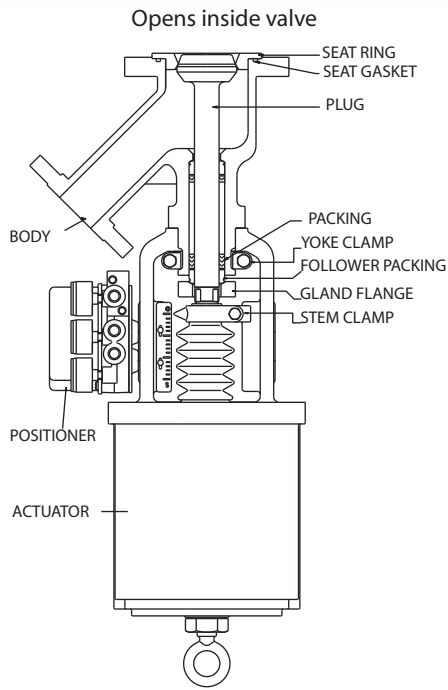
# Flush Bottom Discharge Valve Best In Performance



# FlushFlo

## Discharge Valves

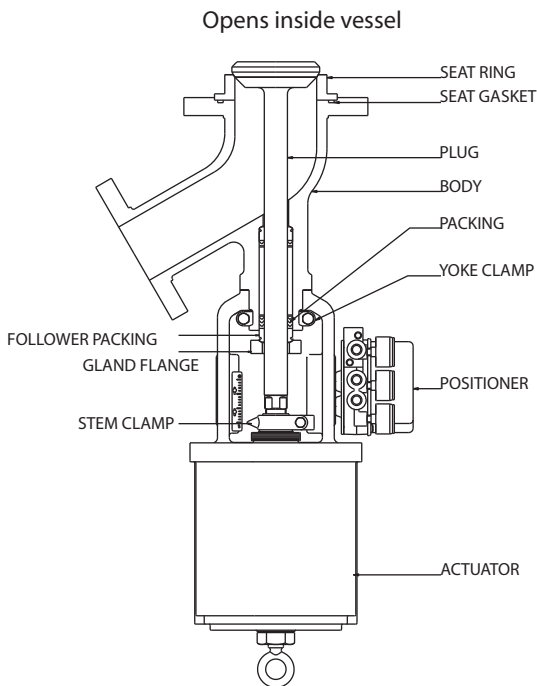
## High Performance FlushFlo Bottom Discharge Valve



Model	FlushFlo
Type	Flush Bottom Discharge
Application	For Tank and Vessel draining
Inlet connection	Suitable for mounting on vessel manhole pad flange
Discharge connection	at 45° / 60° / 90°

Size	1.0"x0.75"	1.5"x1.0"	2.0"x1.5"
	3.0"x2.0"	4.0"x3.0"	6.0"x4.0"
	8.0"x6.0"	10.0"x8.0"	12.0"x10.0"

Option is available for same size of inlet and discharge



Pressure class	Up to ANSI #600
End connection	Flanged BS / ANSI / JIS / DIN
Body Material	All castable Alloys , Glass Teflon lining up to 6.0" & Jacketed valve body is available.
Plug	Large seat contact area, Open inside vessel or inside valve body.
Plug Guiding	Heavy duty double top stem guiding
Characteristics	Equal Percentage, Linear and On-Off
Seat	Replaceable , Metal or Teflon soft seat
Bonnet	Standard Bolted and Extension
Gland Packing	PTFE, Braided PTFE and Grafoil
Actuators	Pneumatic - Spring cylinder / Double acting cylinder
Electric	Single phase , Three phase
Accessories	Positioner ( Pneumatic & Electro-Pneumatic) for throttling duty Solenoid valve, Limit switches, Hand wheel